

Content

Accessories / Connection technology

| | |
|--|------|
| T coupler CTA 721/722 and bus connection module CTA 701 | 9.2 |
| Flash Cassette FMC 701 | 9.3 |
| Screw terminals TBA 701, 704, 706, 708 | 9.4 |
| Spring terminals TBA 702, 703, 705, 707 | 9.5 |
| Connecting cables | 9.6 |
| Connecting diagrams | 9.8 |
| Supply units | 9.10 |

Accessories

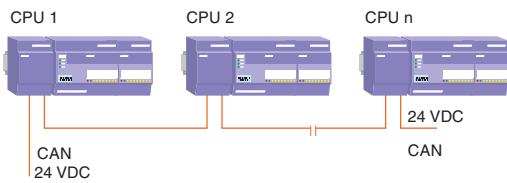
T coupler CTA 721/722 and bus connection module CTA 701



Bus connection module CTA 701

- Easy branching from CAN to the MAS modules.
- Stub line for CAN and supply voltage.
- Screw terminals, connecting section 2,5 mm².
- Voltage connections protected by fusible cut-out.
- 120 Ω terminal resistance to add via cable bridge.
- CAN line screen to connect by cable clip.

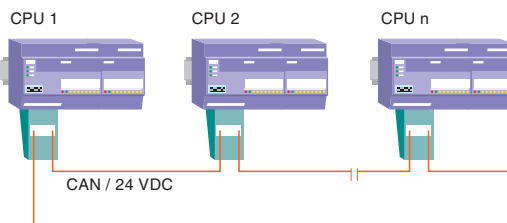
| Connection module | Article No. |
|-------------------|-------------|
| CTA 701 | 44170004 |



T coupler CTA 721/722

- Pluggable T coupler for decentralised MAS module.
- Stub line for CAN and supply voltage.
- Screw terminals (CTA 721), connecting section 2,5 mm².
- Spring force terminals (CTA 722), connecting sector 2,5 mm².
- 120 Ω switchable terminal resistance.
- CAN line screen to connect by cable clip.

| T coupler | Article No. |
|-----------|-------------|
| CTA 721 | 44170030 |
| CTA 722 | 44170037 |



Accessories

Flash cassette FMC 701

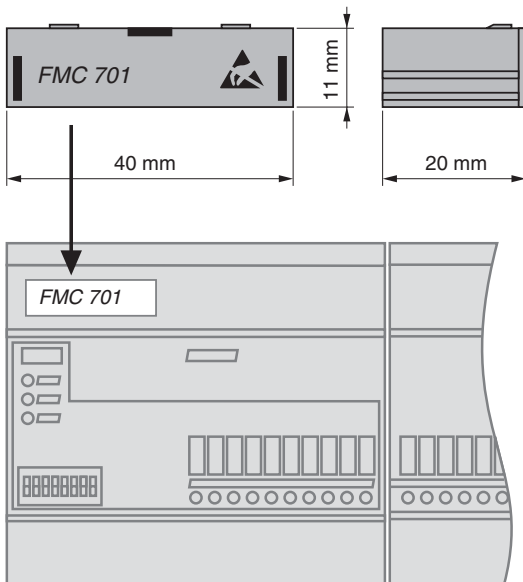


Flash Cassette FMC 701

Memory extension for CPU 72x/762

The flash cassette FMC 701 serves for the memorisation of the user program or of parameters. Its memory capacity is of 1 MByte. The run time system can be copied on the cassette together with the user program which allows a program exchange with the controller also over a longer distance.

| Flash cassette | FMC 701 |
|----------------|----------------------------------|
| Flash-EPROM | 1 MByte |
| Programming | word wise |
| Clearing | bloc wise |
| Useable at | CPU 723, 724, 725, 726, 727, 762 |
| Article No. | 44170032 |

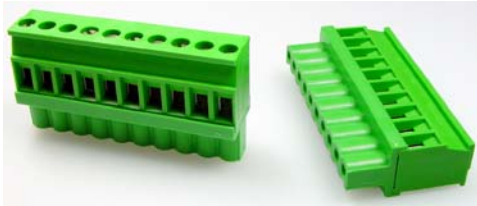


Accessories

Screw terminals TBA 701, 704, 706, 708

Connection technology for decentralized modules

For the easy wiring of sensors and actuators there are different terminal blocks (TBA) with either screw or spring terminals for 2-, 3- and 4-wire sensors available, which can be combined in any way.



TBA 701

The screw terminals TBA 701 make part of the standard equipment of the SELECONTROL® MAS modules.

| Screw terminal | TBA 701 | Pieces per PU |
|----------------|----------|---------------|
| Article No. | 44170001 | 10 |



TBA 704

The screw terminals TBA 704 allow among others the connection of 3-wire sensors. The blocks are mounted below the remote modules by means of the dovetail groove.

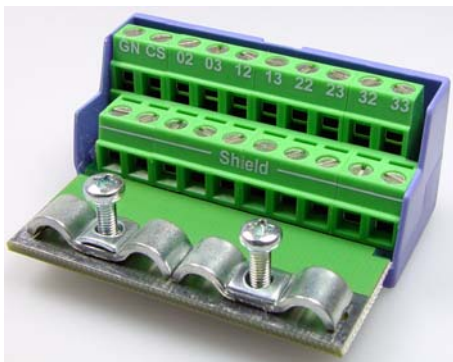
| Screw terminal | TBA 704 | Pieces per PU |
|----------------|----------|---------------|
| Article No. | 44170006 | 5 |



TBA 706

The screw terminals TBA 706 allow among others the connection of 2-wire sensors. The blocks are mounted below the remote modules by means of the dovetail groove.

| Screw terminal | TBA 706 | Pieces per PU |
|----------------|----------|---------------|
| Article No. | 44170025 | 5 |



TBA 708

The screw terminals TBA 708 allow the connection of PT100 sensors in 4-wire technique and can be used at decentral modules of the types AIC 702 and AIT 702. The blocks are mounted below the remote modules by means of the dovetail groove.

| Screw terminal | TBA 708 | Pieces per PU |
|----------------|----------|---------------|
| Article No. | 44170027 | 1 |

Benefits

- Freely selectable connecting technique in 2-, 3- and 4-wire technique, adaptable at any time.
- Potential distribution resp. potential multiplication with very little expenses.
- No additional series terminals (incl. Cap bar) necessary.
- No wire to detect to disconnect CPU's and I/O modules from the process level.
- Reduction of error sources at simultaneously high flexibility.
- Significant reduced required size.
- Releasing of singular modules by disconnecting of one connector only.
- Significant saving of time thanks to flexible adding of additional connecting potentials.

Accessories

Spring terminals TBA 702, 703, 705, 707

Connection technology decentralized modules

For the easy wiring of sensors and actuators the plugable spring terminals are optional. Combined they can be used for 2-, 3- or 4-wire technique.



TBA 702

The spring terminals can be used instead of screw plug terminals.

| Spring terminal | TBA 702 | Pieces per PU |
|-----------------|----------|---------------|
| Article No. | 44170002 | 10 |



TBA 703

The spring terminals TBA 703 allow the connection of 3-wire sensors. The blocks are mounted below the remote modules by means of the dovetail groove.

| Spring terminal | TBA 703 | Pieces per PU |
|-----------------|----------|---------------|
| Article No. | 44170003 | 5 |



TBA 705

The spring terminals TBA 705 allow among others the connection of 2-wire sensors. The blocks are mounted below the remote modules by means of the dovetail groove.

| Spring terminal | TBA 705 | Pieces per PU |
|-----------------|----------|---------------|
| Article No. | 44170024 | 5 |



TBA 707

The spring terminals TBA 707 allow the connection of PT100 sensors in 4-wire technique and can be used at decentral modules of the types AIC 702 and AIT 702. The blocks are mounted below the remote modules by means of the dovetail groove.

| Spring terminal | TBA 707 | Pieces per PU |
|-----------------|----------|---------------|
| Article No. | 44170026 | 1 |

PU = Packing unit

Accessories

Connecting cables

Stub line CCA 701

The cable, at one side equipped with a 9-pole D-Sub connector, serves for the connection of the bus connecting module CTA 701 and the MAS modules.

The cable is not screened.

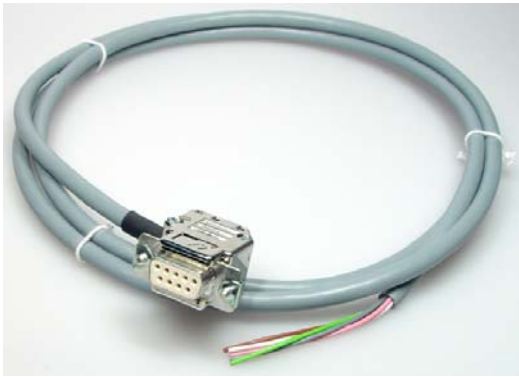


| | |
|------------------|----------------|
| Stub line | CCA 701 |
| Article No. | 44170007 |

Stub line CCA 701-1,5

The cable, at one side equipped with a 9-pole D-Sub connector, serves for the connection of the bus connecting module CTA 701 and the MAS modules.

The cable is screened. The screen is not connected on the D-Sub connector side.



| | |
|------------------|--------------------|
| Stub line | CCA 701-1,5 |
| Article No. | 44170031 |

Data cable CCA 36/5M (RS 232C)

The cable CCA 36 serves for the connection of the RS 232 interface of a CPU 762/85x with a PC or a terminal. It is equipped on both sides with a 9 pole D-Sub connector.



| | |
|-------------------|------------------|
| Data cable | CCA 36/5M |
| Article No. | 43170052 |

Accessories

Connecting cables

Data cable DCA 701

The data cable DCA 701 fits in most cases for the CAN bus wiring. The cable is screened. (2 x 2 x 0,22 mm²)



| | |
|-------------------|----------------|
| Data cable | DCA 701 |
| Article No. | 44170014 |

Data cable CCA 703 (RS 232C)

The cable CCA 703 serves for the connection of the RS 232 interface of a decentralised CPU 72x with a PC. It is equipped on PC side with a 9 pole D-Sub connector and on the CPU side with a 3 pole screw plug terminal.



| | |
|-------------------|----------------|
| Data cable | CCA 703 |
| Article No. | 44170019 |

Connecting cable CCA 751

The screened cable CCA 751, on both sides equipped with a 15 pole D-Sub connector (1 male, 1 female), has a length of 2 meters and serves for the connection of

- SDM with SMM modules
- SVM modules with servo amplifiers
- Drive modules from Berger-Lahr with SMM-752-B modules



| | |
|-------------------------|----------------|
| Connecting cable | CCA 751 |
| Article No. | 44170012 |

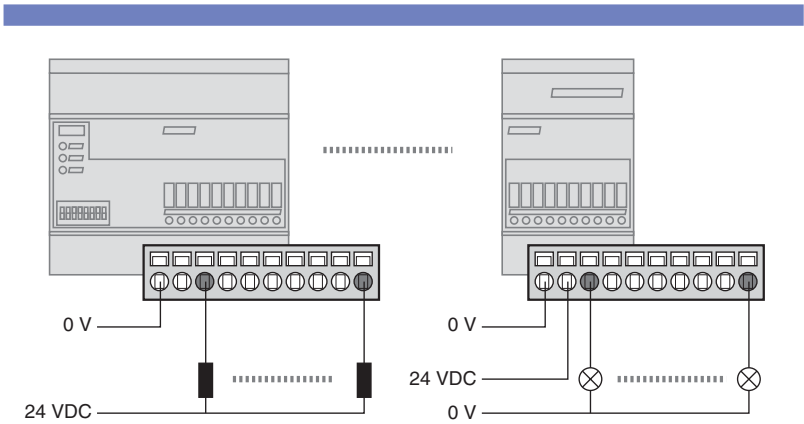
Accessories

Connecting diagrams

1-wire technique

For the shown examples either spring terminals or also screw terminals can be used.

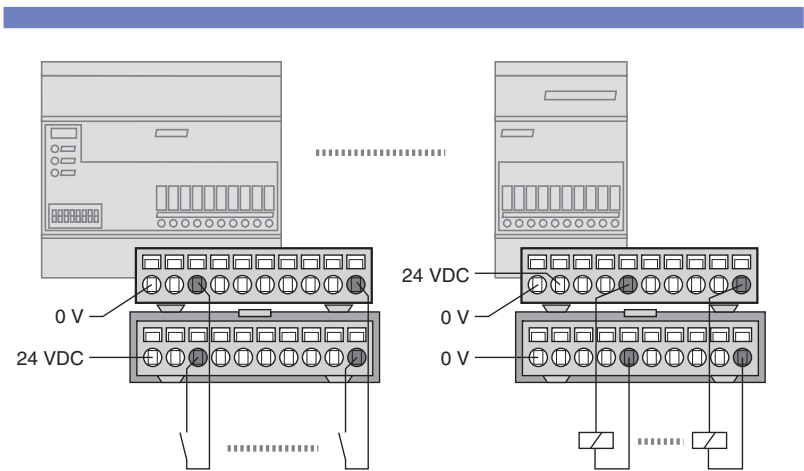
Terminals TBA 701 or TBA 702



2-wire technique

Terminals TBA 701 or TBA 702

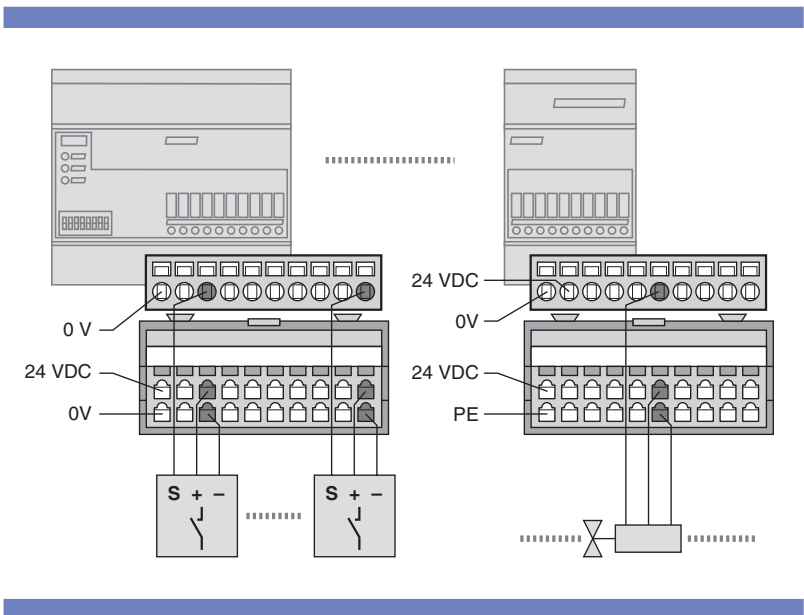
Terminals TBA 706 or TBA 705



3-wire technique

Terminals TBA 701 or TBA 702

Terminals TBA 704 or TBA 703



Accessories

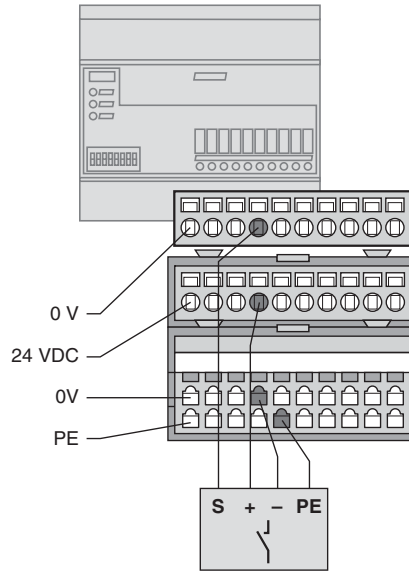
Connecting diagrams

4-wire technique

Terminals TBA 701 or TBA 702

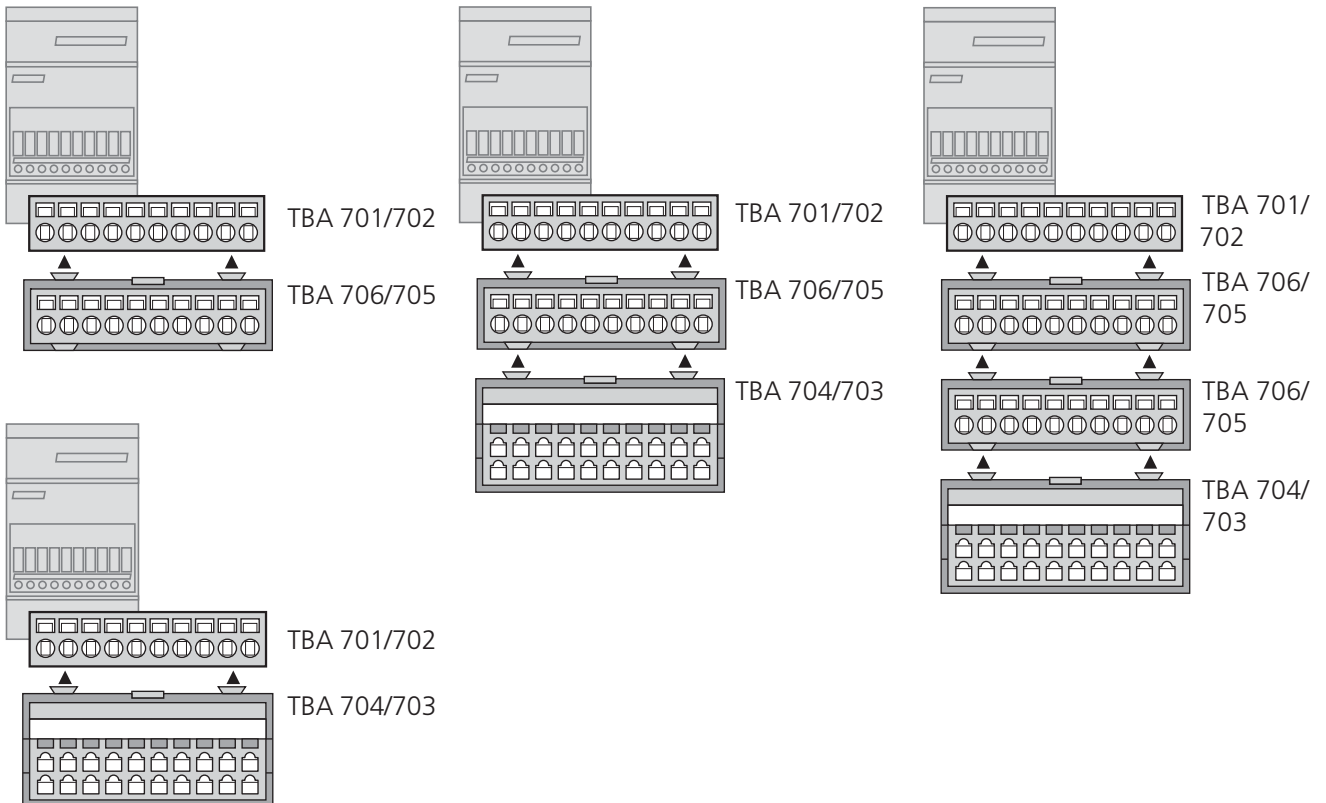
Terminals TBA 706 or TBA 705

Terminals TBA 704 or TBA 703



Combination possibilities

Depending on the applicaton, potentials and connecting points can be plugged optionally.



Accessories

Supply units



Features and benefits

- Quick and easy to install.
- Connection technology with pluggable spring cage or screw terminals.
- Quick to install by clipping onto a DIN mounting rail.
- Logic output for remote monitoring.
- Simple to change modules without disconnecting individual cables.
- Voltage range 85 ... 400 Vac.
- Currents 1.25 ... 20 A
- Small housing dimensions.
- Light weight.

| Supply units | Voltage range | Article No. |
|--------------|--------------------------------|-------------|
| ML 30.100 | 85 ... 264 Vac, 24 Vdc, 1.25 A | 41920201 |
| ML 50.100 | 85 ... 264 Vac, 24 Vdc, 2.15 A | 41920202 |
| SL 2.100 | 115/230 Vac, 24 Vdc, 2.5 A | 41920203 |
| SL 5.100 | 115/230 Vac, 24 Vdc, 5 A | 41920204 |
| SL 10.100 | 115/230 Vac, 24 Vdc, 10 A | 41920205 |
| SL 20.100 | 230 Vac, 24 Vdc, 20 A | 41920206 |

Visit www.puls-power.de for detailed data sheets on the supply units